

100A/200A/400A REVENUE GRADE SPLIT CORE CURRENT TRANSFORMERS



DENT's SRL Series hinged split-core current transformers are designed for Revenue Grade applications that require maximum accuracy and precision. The superior performance, robust design, and unique shrouded snap, lock & tilt top of the SRS Series CTs make them ideal for field installation in high accuracy current measurement applications such as energy and demand metering, tenant submetering and load surveys. Revenue Grade performance of these CTs meets or exceeds the accuracy specifications of IEC 61869-2 Class 0.2; IEC 60044-1 Class 0.3; and IEEE C57.13 Class 0.3.

The SRL Series CTs are UL2808 and CSA C22.2 No. 61010-1 listed as stand-alone products, CE marked, RoHS compliant, and are 600V CAT III rated devices. They are available for current inputs up to 400 Amps with 8 foot long, 18 AWG MTW UL1015 twisted pair leads.

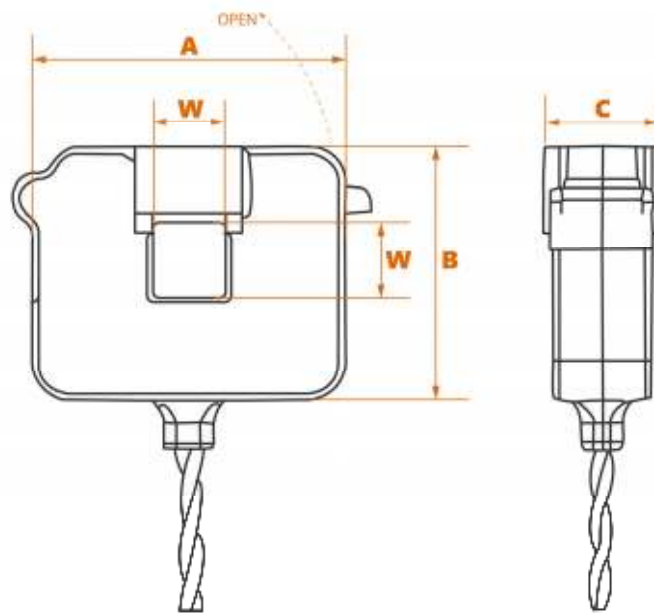


KEY SPECIFICATIONS	
Window Size	1.25" (31.75mm)
Current Range	100A Model: 1.0—200A AC 200A Model: 2.0—400A AC 400A Model: 4.0—500A AC
Output	333.3mV at rated current
Ratio Error	+/-0.2% at rated current (typical)
Phase Error	< 0.2°
Meets the Accuracy Requirements for ¹	IEC 61869-2 Class 0.2 IEC 60044-1 Class 0.2 IEEE C57.13 Class 0.3

ELECTRICAL	
Output	333.3mV at rated current
Wire Polarity	White = Hi, positive (+) Black = Low, negative (-)
Frequency Range	40 to 400 Hz

MECHANICAL	
Case Material	120°C UL Recognized Plastic
Leads	8ft (2.4M) black and white twisted pair 18 AWG MTW UL1015, 600V, 105°C double insulated
Operating Temperature	-40°C to 70°C (-40°F to 158°F)

SAFETY & CERTIFICATIONS	
Working Voltage	600 VAC, Category III
Dielectric Strength	7400 VAC
Certification	Conforms to: UL Listed to UL 2808 Certified to: CSA STD C22.2 No. 61010-1



DIMENSIONS			
WINDOW	A	B	C
1.25" 31.75mm	3.3" 83.81mm	3.1" 78.74mm	1.3" 33.04mm

PART NUMBERS	
CT-SRL-100-U/B	100A Revenue Grade Split Core
CT-SRL-200-U/B	200A Revenue Grade Split Core
CT-SRL-400-U/B	400A Revenue Grade Split Core

¹ When CT phase shift is set as follows: 100A = 0.06°, 200A = 0.06°, 400A = -0.06°

CONTACT US

DENT Instruments, Inc.
Energy & Power Measurement Solutions
An ISO 9001:2008 Certified Company

925 SW EMKAY DRIVE
BEND, OREGON 97702 USA
541.388.4774 | 800.388.0770
WWW.DENTINSTRUMENTS.COM

All specifications contained in this document are subject to change without notice.
© DENT INSTRUMENTS, INC.
rev052620